

**DESCRIPTION**

- Stop valve
- Available inlet connections: PEX (SPEX), Expansion Pex (EX)

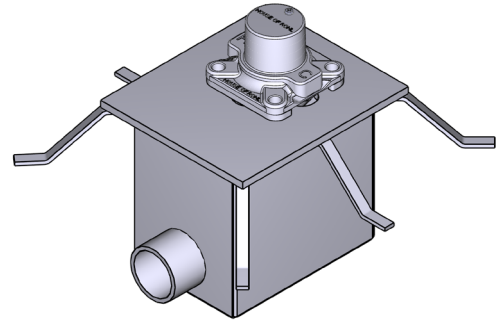
**STANDARDS**

- ASME A112.18.1 / CSA B125.1

**WARRANTY**

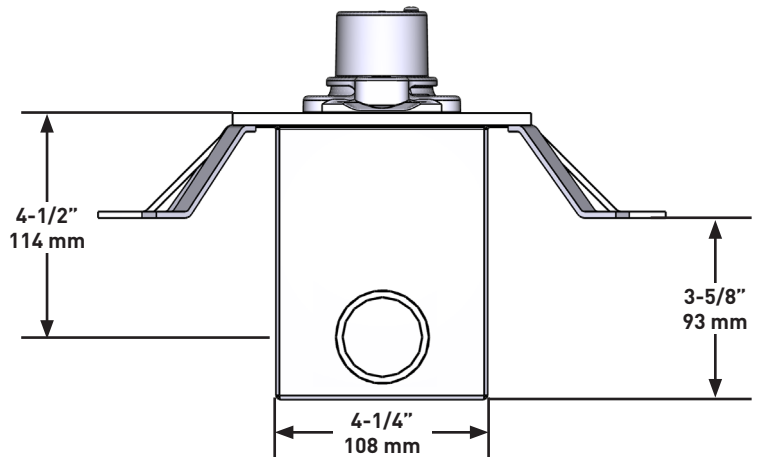
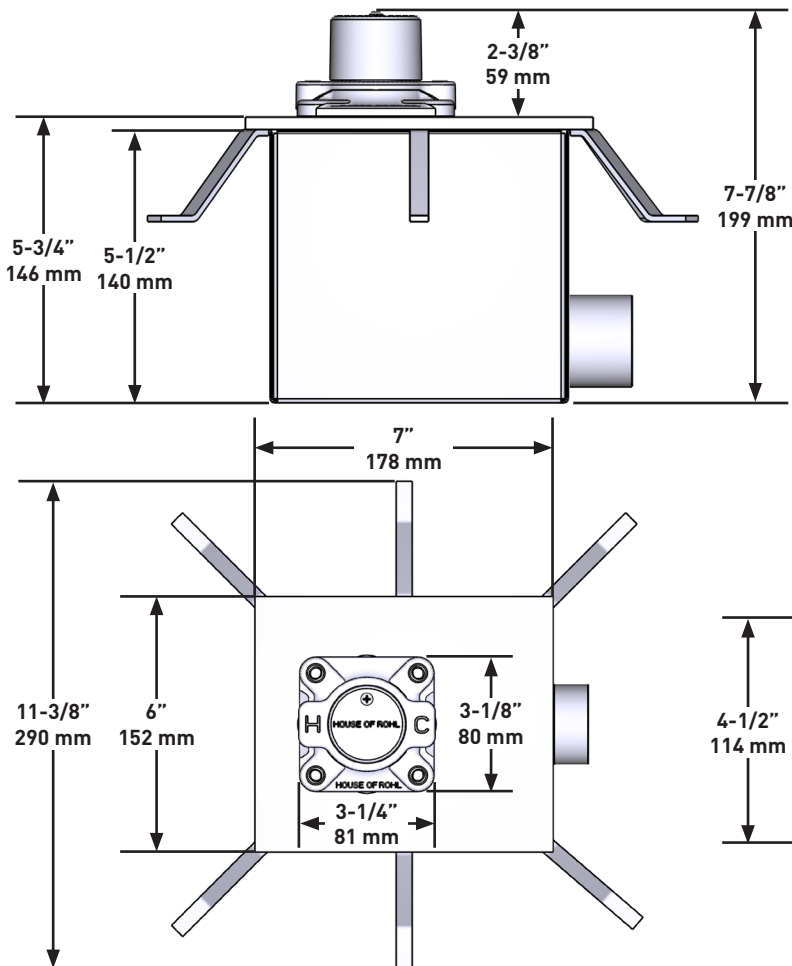
- Most products or parts carry "Limited Warranties" against manufacturing defects. Please visit <https://riobelpro.ca/en/warranties> for complete product and finish warranty.

## SPECIFICATIONS



Floor Mount Tub Filler Rough-in Valve With Installation Box

**MODELS:** PRHBX-ST-EX PRHBX-ST-SPEX



**For warranty or additional information, contact:**

ONTARIO / WESTERN CANADA  
 ONTARIO / QUEST CANADIEN  
 ONTARIO / CANADA OCCIDENTAL  
[riobelpro.ca/en/contact](https://riobelpro.ca/en/contact)  
 1-800-287-5354

QUEBEC / MARITIMES  
 QUÉBEC / MARITIMES  
 QUEBEC / MARITIMOS  
[riobelpro.ca/fr/contact](https://riobelpro.ca/fr/contact)  
 1-866-473-8442

