

RiobelPRO®

DESCRIPTION

- Plastic trim plate
- Combines both thermostatic and pressure balance technologies
- “Set it and forget it” temperature control
- 3 dedicated functions and 2 shared functions
- Rough-in valve sold separately:
 - Order R95 rough-in valve

FLOW

- 6.3 GPM/24 LPM at 60 PSI

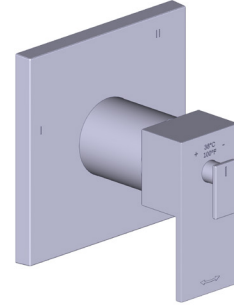
STANDARDS

- ASME A112.18.1 / CSA B125.1
- ASSE 1016
- ADA

WARRANTY

- Most products or parts carry “Limited Warranties” against manufacturing defects. Please visit <https://riobelpro.ca/en/warranties> for complete product and finish warranty.

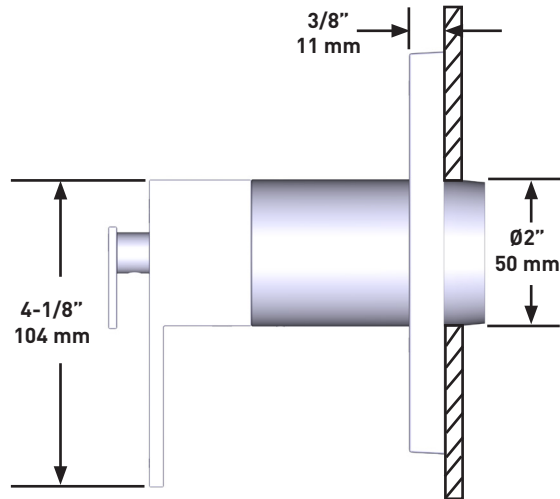
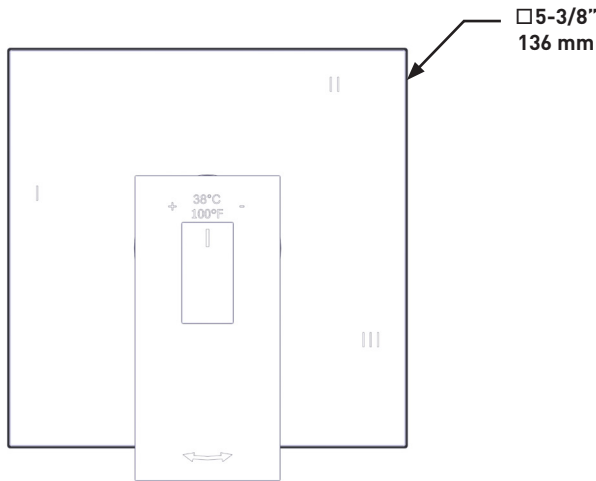
SPECIFICATIONS



QUADRIK™

1/2” Therm & Pressure Balance Trim With 5 Functions

MODELS: TQA95



For warranty or additional information, contact:

ONTARIO / WESTERN CANADA
 ONTARIO / QUEST CANADIEN
 ONTARIO / CANADA OCCIDENTAL
riobelpro.ca/en/contact
 1-800-287-5354

QUEBEC / MARITIMES
 QUÉBEC / MARITIMES
 QUEBEC / MARITIMOS
riobelpro.ca/fr/contact
 1-866-473-8442

