

DESCRIPTION

- 3/8" speedway compression
- Only compatible with the Perrin & Rowe U.1998 high performance hot water tank and U.1106 filter system
- Does not work with ISE tank systems
- Handle may only be installed on the right side

FLOW

- 0.5 GPM/1.9 LPM at 45 PSI (CEC compliant)

STANDARDS

- ASME A112.18.1/CSA B125.1
- NSF 61/9 & 372 Q ≤ 1
- CEC Compliant

WARRANTY

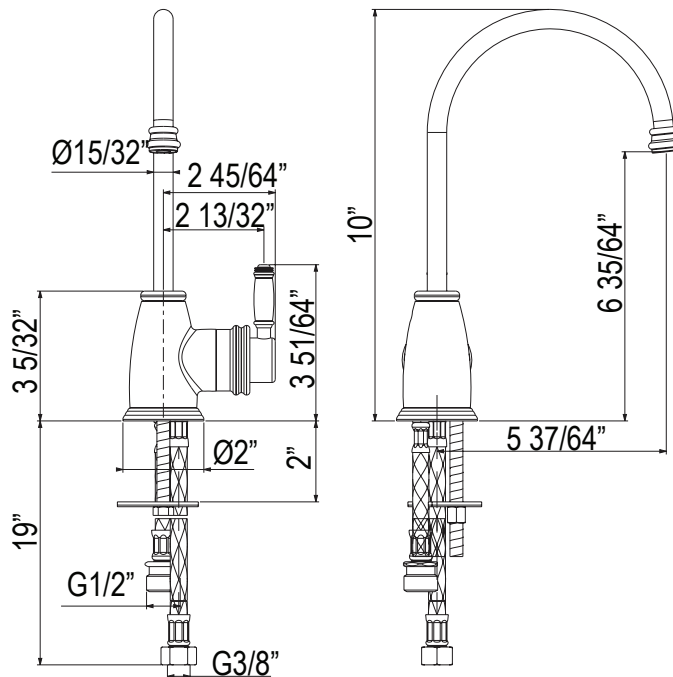
- Most products or parts carry "Limited Warranties" against manufacturing defects. For US customers please visit houseofrohl.com/support and for Canadian customers please visit houseofrohl.ca/support for complete product and finish warranty.

SPECIFICATIONS



Gotham™
Hot Water Dispenser

MODELS: MB7945



For warranty or additional information, contact:

U.S.A.
houseofrohl.com/support
1-800-777-9762

QUEBEC / MARITIMES / WESTERN CANADA
QUÉBEC / MARITIMES / OUEST CANADIEN
QUEBEC / MARITIMOS / CANADA OCCIDENTAL
houseofrohl.ca/support
1-866-473-8442

ONTARIO
houseofrohl.ca/support
1-800-287-5354



