

## SPECIFICATIONS

### DESCRIPTION

- Three positions
- Scale-free
- 2 jets: luxurious, invigorating

### FLOW

- 7.6 L/min (2 gpm) (80psi) max / 5.7 L/min (1.5 gpm) (45 psi) min
- 5.7L/min (1.5 gpm) (80psi) max / 4.2 L/min (1.1gpm) (45 psi) min (P4352-15)
- 6.8L/min (1.8 gpm) (80psi) max / 5.1 L/min (1.3gpm) (45 psi) min (P4352-WS)

### STANDARDS

- ASME A112.18.1 / CSA B125.1

### WARRANTY

- Most products or parts carry "Limited Warranties" against manufacturing defects. Please visit <https://riobelpro.ca/en/warranties> for complete product and finish warranty.



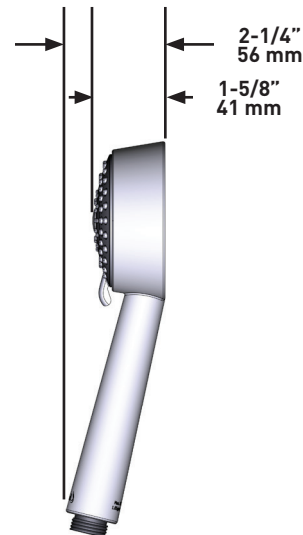
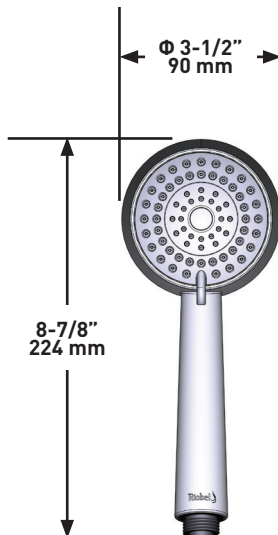
2-jet hand Shower

**MODELS:** P4352



UPC®

Certified by  
IAPMO R&T



**For warranty or additional information, contact:**

ONTARIO / WESTERN CANADA  
ONTARIO / QUEST CANADIEN  
ONTARIO / CANADA OCCIDENTAL  
[riobelpro.ca/en/contact](https://riobelpro.ca/en/contact)  
1-800-287-5354

QUEBEC / MARITIMES  
QUÉBEC / MARITIMES  
QUEBEC / MARITIMOS  
[riobelpro.ca/fr/contact](https://riobelpro.ca/fr/contact)  
1-866-473-8442

## SPÉCIFICATIONS

### DESCRIPTION

- Trois positions
- Anticalcaire
- 2 jets: enveloppant et vivifiant

### DÉBITS DISPONIBLES

- 7.6 L/min (2 gpm) (80psi) max / 5.7 L/min (1.5 gpm) (45 psi) min
- 5.7L/min (1.5 gpm) (80psi) max / 4.2 L/min (1.1gpm) (45 psi) min (P4352-15)
- 6.8L/min (1.8 gpm) (80psi) max / 5.1 L/min (1.3gpm) (45 psi) min (P4352-WS)

### CERTIFICATIONS

- ASME A112.18.1 / CSA B125.1

### GARANTIE

- La plupart des produits ou pièces comprend des «garanties limitées» contre les défauts de fabrication. Veuillez consulter <https://riobelpro.ca/fr/garantie> pour connaître les conditions complètes de la garantie des produits et finis.

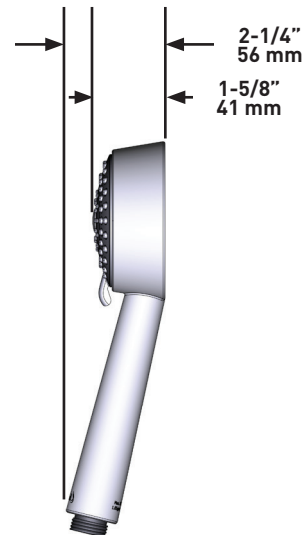


Douchette 2 jets

**MODÈLES :** P4352



UPC®



**For warranty or additional information, contact:**

ONTARIO / WESTERN CANADA  
ONTARIO / QUÉBEC / MARITIMES  
ONTARIO / CANADA OCCIDENTAL  
[riobelpro.ca/en/contact](http://riobelpro.ca/en/contact)  
1-800-287-5354

QUEBEC / MARITIMES  
QUÉBEC / MARITIMES  
QUEBEC / MARITIMOS  
[riobelpro.ca/fr/contact](http://riobelpro.ca/fr/contact)  
1-866-473-8442