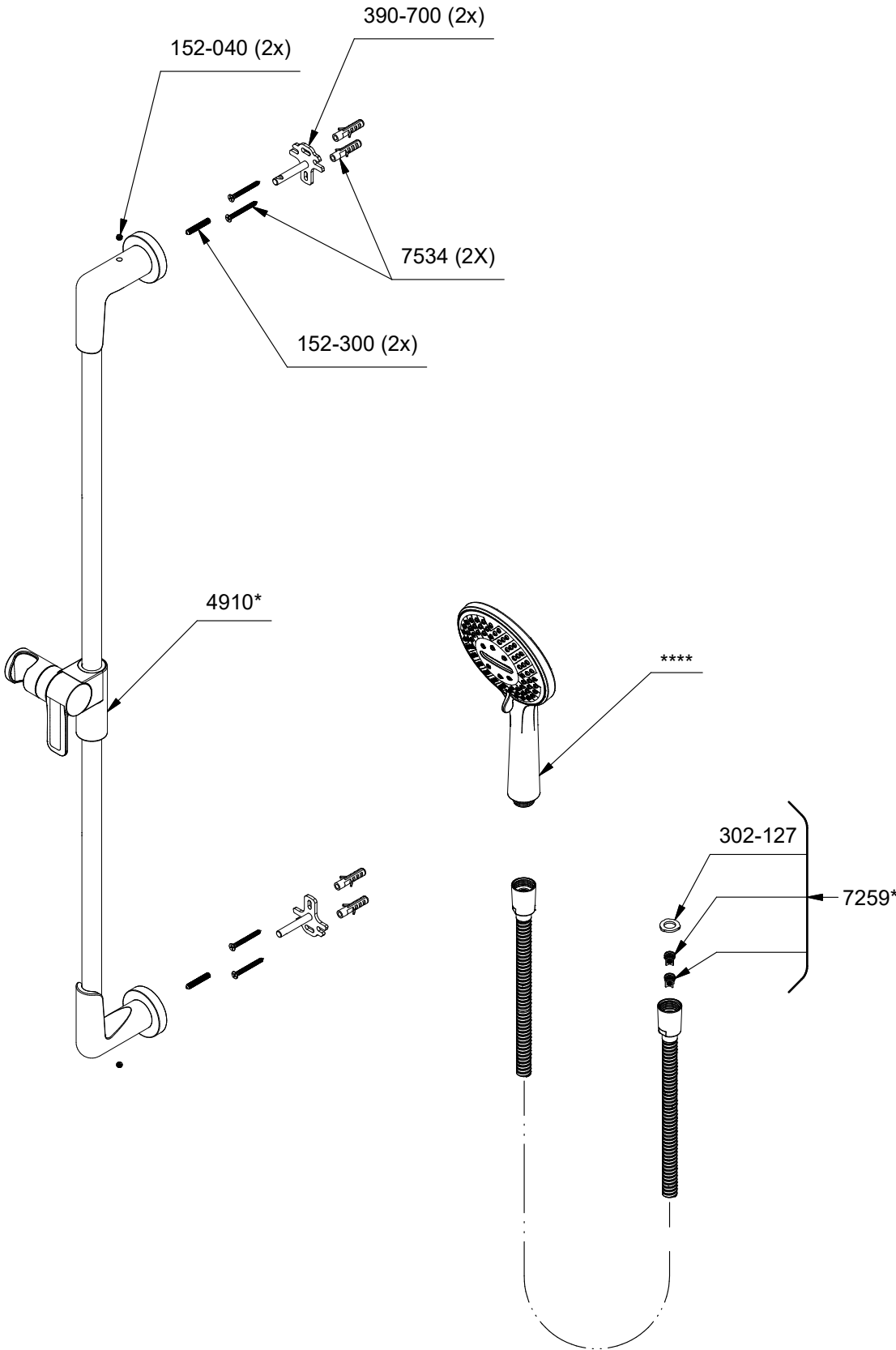




**4839**  
Shower/bath components  
Hand shower rail

\*Sizes, models and finishes may differ from those presented.



**\*Finish determined by Suffix**

Finish	Description
C	Chrome
PN	Polished Nickel
BK	Black
BG	Brushed Gold

**\*\*\*\*Hand shower :**

R4375*	(1.8gpm / 6.8l/min)
R4375*-15	(1.5gpm / 5.7l/min)
R4375*-WS	(1.8gpm / 6.8l/min)

**TOOL :**

505-025 (Allen key 2.5mm)

