

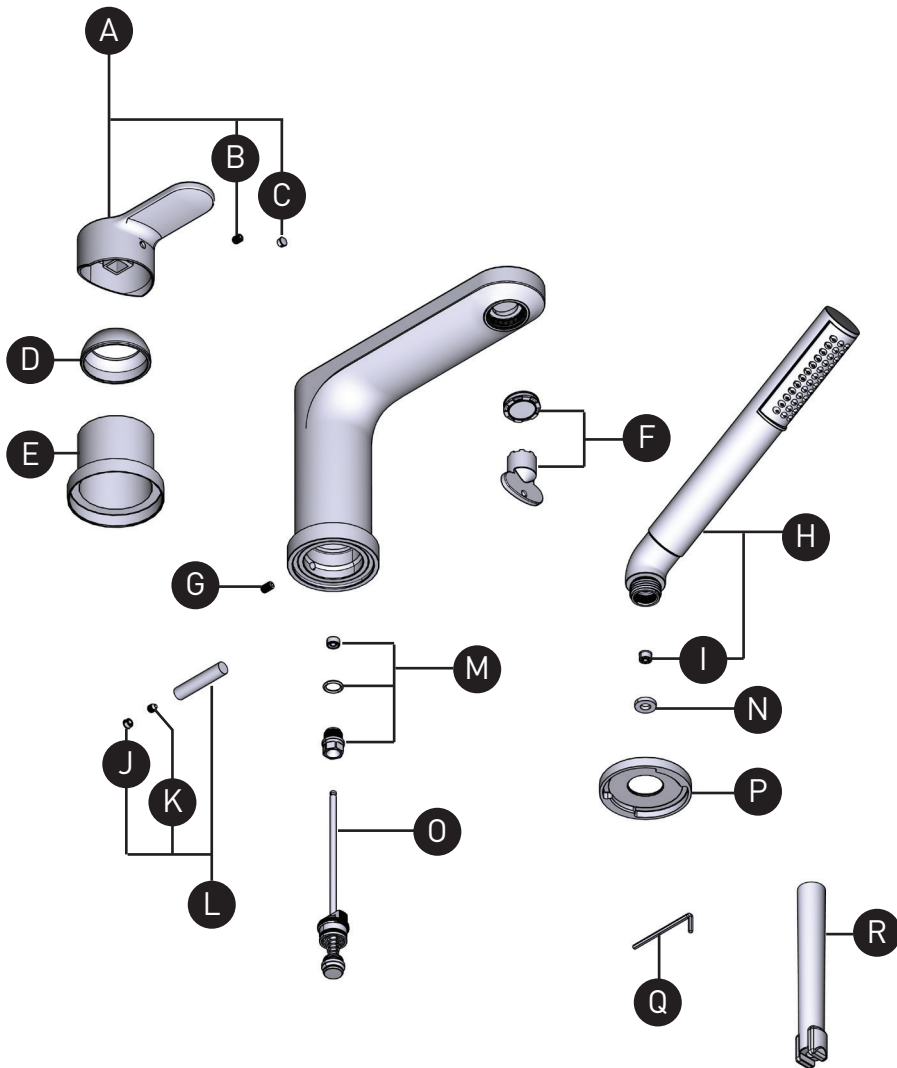
ORDER BY PART NUMBER

## ILLUSTRATED PARTS

### TIN10

### INTERVAL

3-Piece deck-mount tub filler with hand shower trim



ID	Kit Number	Finish
*A	214476	See below
B	157-060	N/A
*C	003-030	See below
*D	052-114	See below
*E	053-162	See below
F	S6-676	N/A
G	152-080	N/A
*H	4-342	See below
I	6-524	N/A
*J	003-030	See below
K	157-055	N/A
*L	7-801	See below
M	7-301	N/A
N	302-462	N/A
O	0-605	N/A
*P	2-464	See below
Q	505-025	N/A
R	500-002	N/A

*Finish Determined by Suffix	
Finish	Description
C	Chrome
BK	Black

For warranty or additional information, contact:

ONTARIO / WESTERN CANADA  
 ONTARIO / QUÉBEC / CANADIEN  
 ONTARIO / CANADA OCCIDENTAL  
[riobelpro.ca/en/contact](http://riobelpro.ca/en/contact)  
 1-800-287-5354

QUEBEC / MARITIMES  
 QUÉBEC / MARITIMES  
 QUEBEC / MARITIMES  
[riobelpro.ca/fr/contact](http://riobelpro.ca/fr/contact)  
 1-866-473-8442

